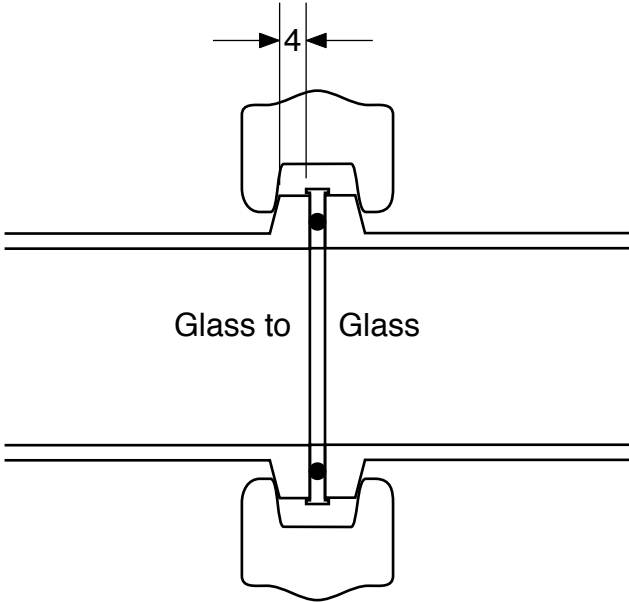


**Coupling NW glass flanges
to KF metal flange**



For good fit to metal flanges,
glass flanges should be tooled
a bit thicker such that the clamp
fits correctly

